



AD704050
Metal zinc plated
DN 150 flat

Planning notes

Color Variants

AD704050
DN 150 flat

Product Features

Product Description

Accessory

Brand

Gaggenau

Product name / series name

SKU

AD704050

Internal article number

000000000017006666

EAN code

4242006302665

Product packaging dimensions
(HxWxD)

Net weight

6.000

8

Quantity per packing unit

Standard number of units per pallet

16

UPC code

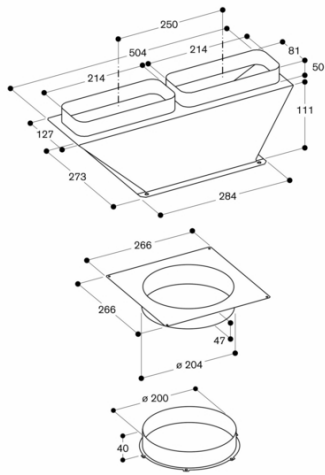
825225966753

Product image

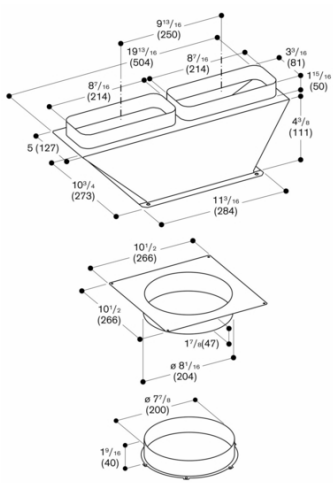
18084515_AD704050_def.jpg

2023-01-10

Page 1



Measurements in mm



Measurements in inches (mm)